

pH(ORP)검출기

pH(ORP) DETECTOR

OUTLINE

The model P242/2 is a pH/ORP DETECTOR/HOLDER with a metal electrode instead of glass. An uniquely designed ceramic brush driven by a motor continuously rubs electrode surface to keep stable measurement in waste water and a liquid contains harmful materials to glass. Antimony electrode measures pH, and gold one measures ORP.

SPECIFICATIONS

Material: Hardened vinyl chloride, SUS316 and Ceramic

KCl reservoir: 300 ml

Mounting: JIS 10K 100(4B) flange

Weight: Approx. 5 kg

Electrical connection: PS3/8, cable 10mm dia.

Electrode: P842 for pH, P84I for ORP and RA303 for reference electrode, no temperature compensation electrode

Power supply voltage: 100VAC, 50/60Hz

Air purge inlet: Rc1/4 (PT 1/4 female screw)

PERFORMANCE (in 25°C buffer)

Accuracy: ± 0.2 pH

Repeatability: ± 0.15 pH

Response: 10 sec. to 90%

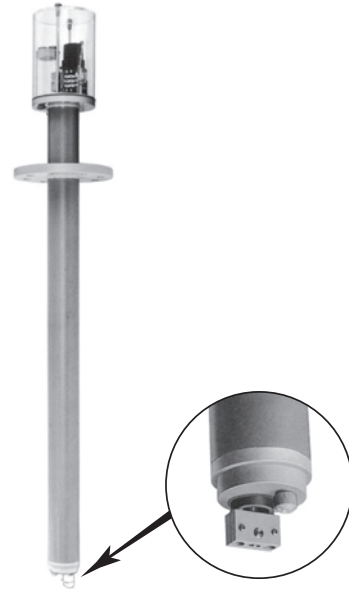
CONDITIONS

Range: 2 ~ 12pH

Operation temperature: - 5 ~ 60°C

Pressure: Open air

Sample solution flow rate: 1 m/sec max.



Sample solution: Sample solution should not contain oxide, chloride, organic acid, oils and fats, and metal ion in less ionization than antimony's

pH(ORP)검출기

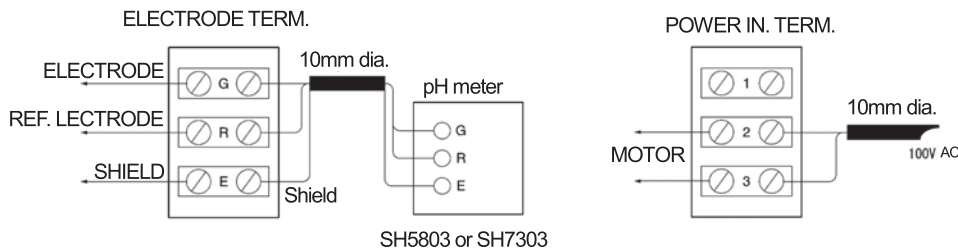
pH(ORP) DETECTOR

MODEL CODE NUMBER

MODEL	DESCRIPTION	
P242/2A	pH/ORP DETECTOR	
ELECTRODE	1	Antimony electrode (P842 + RA303)
	2	ORP electrode (P841 + RA303)
	3	ORP electrode (P840 + RA303)
SHAFT MATERIAL *1	1	SUS316 (standard)
	2	Titanium
	3	Hasteroy C
	9	Others (consult factory)
LENGTH	1	1.0m (standard)
	2	0.5m
	3	1.5m
	9	Others (consult factory)
OTHERS	0	None
	1	Custom (consult ohkura)

NOTE1: Other liquid contact metal parts are same material.

WIRING INFORMATION



Note: Model P841 gold electrode replaces P842 Antimony electrode for ORP measurement.
There is no temperature compensation applied in the measurement.

DIMENSIONS

